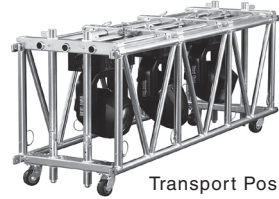
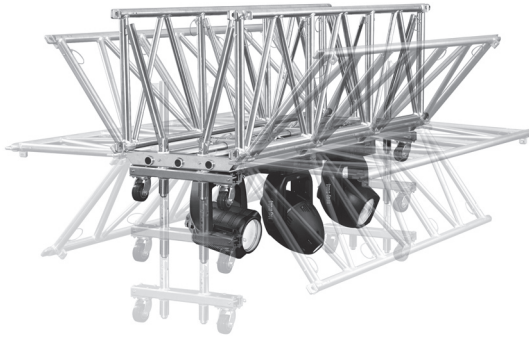




STAGING, LIGHTING AND SUPPORT SYSTEMS

SWING WING TRUSS 30" x 30" SPIGOTED



Transport Position

- * Standard length is 96-1/8"
- * Supports up to 3 Lamp bars
- * Accessories include a 3rd caster assembly and cable hooks

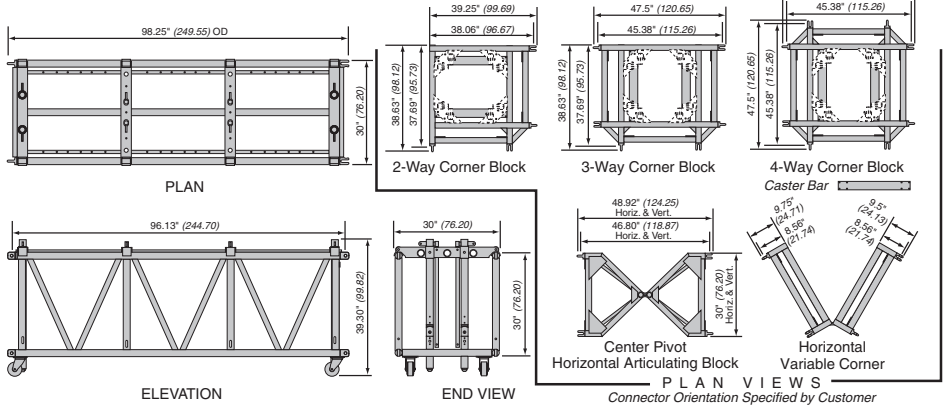


Transition Position

- Equipped with asexual steel spigot arrangement
- Main chords are 2" OD x 3/16" aluminum
- Diagonals are 1-1/2" OD x 1/8" aluminum
- Fabricated by certified welders



Rigged Position



ALLOWABLE LOAD DATA

SWING WING TRUSS 30" x 30" SPIGOTED

MAXIMUM ALLOWABLE UNIFORM LOADS				MAXIMUM ALLOWABLE POINT LOADS						
				CENTER POINT		THIRD POINT		QUARTER POINT		
Span ft. (mtrs)	Load #/ft.	Load lbs (kgs)	Max Defl. in.	Load lbs (kgs)	Max Defl. in.	Load lbs (kgs)	Max Defl. in.	Load lbs (kgs)	Max Defl. in.	
<i>Spigots Only</i>										
8 (2.43)	2180	17440 (7911)	0.03	10910 (4949)	.03	6350 (2880)	.01	4610 (2091)	.02	
16 (4.87)	1080	17280 (7838)	0.20	7490 (3398)	.14	4690 (2127)	.03	3570 (1619)	.12	
24 (7.31)	570	13680 (6205)	0.53	5610 (2545)	.36	3650 (1656)	.09	2870 (1302)	.33	
32 (9.75)	340	10880 (4935)	1.02	4400 (1996)	.69	2940 (1334)	.19	2360 (1071)	.66	
40 (12.19)	210	8400 (3810)	1.59	3550 (1610)	1.13	2420 (1098)	.36	1970 (894)	1.12	
48 (14.63)	140	6720 (3048)	2.32	2910 (1320)	1.69	2010 (912)	.60	1650 (748)	1.71	
56 (17.06)	100	5600 (2540)	3.16	2400 (1089)	2.33	1680 (762)	.95	1390 (631)	2.44	
64 (19.50)	70	4480 (2032)	4.15	1990 (903)	3.19	1400 (635)	1.43	1170 (531)	3.30	

Note: Deflections reported in the above tables are maximum expected for full loadings (indoors only). All loads are based on 96" sections. Load tables are reprinted from engineering reports developed by Geiger, Gossen, Hamilton, Campbell Engineers, P.C., structural engineers.

SWING WING TRUSS 30" x 30" SPIGOTED Connections are steel spigots & 3/4" clevis pins

Product Description	Item Code	Weight lbs (kgs)
96" HDSW TRUSS (EMPTY) (96-1/8" Pinned length)	TRS 30SW-096S	240 (109)
126" HDSW TRUSS (EMPTY) (126-1/8" Pinned length)	TRS 30SW-126S	280 (127)
HDPRT 2-WAY CORNER BLOCK	TRS 3030-C2S	109 (50)
HDPRT 3-WAY CORNER BLOCK	TRS 3030-C3S	134 (61)
HDPRT 4-WAY CORNER BLOCK	TRS 3030-C4S	160 (73)
HDPRT ARTICULATING BLOCK HORIZONTAL (center pivot)	TRS 3030-AHS	97 (44)
HDPRT ARTICULATING BLOCK VERTICAL (center pivot)	TRS 3030-AVS	93 (42)
HDPRT VARIABLE CORNER HORIZ. (book style with brace)	TRS 3030-VHS	78 (36)
HDPRT VARIABLE CORNER VERT. (book style with brace)	TRS 3030-VVS	78 (36)
3/4" CLEVIS PIN	HDW CP-75	.4 (.18)
MEDIUM R-CLIP	HDW RC-MED	-