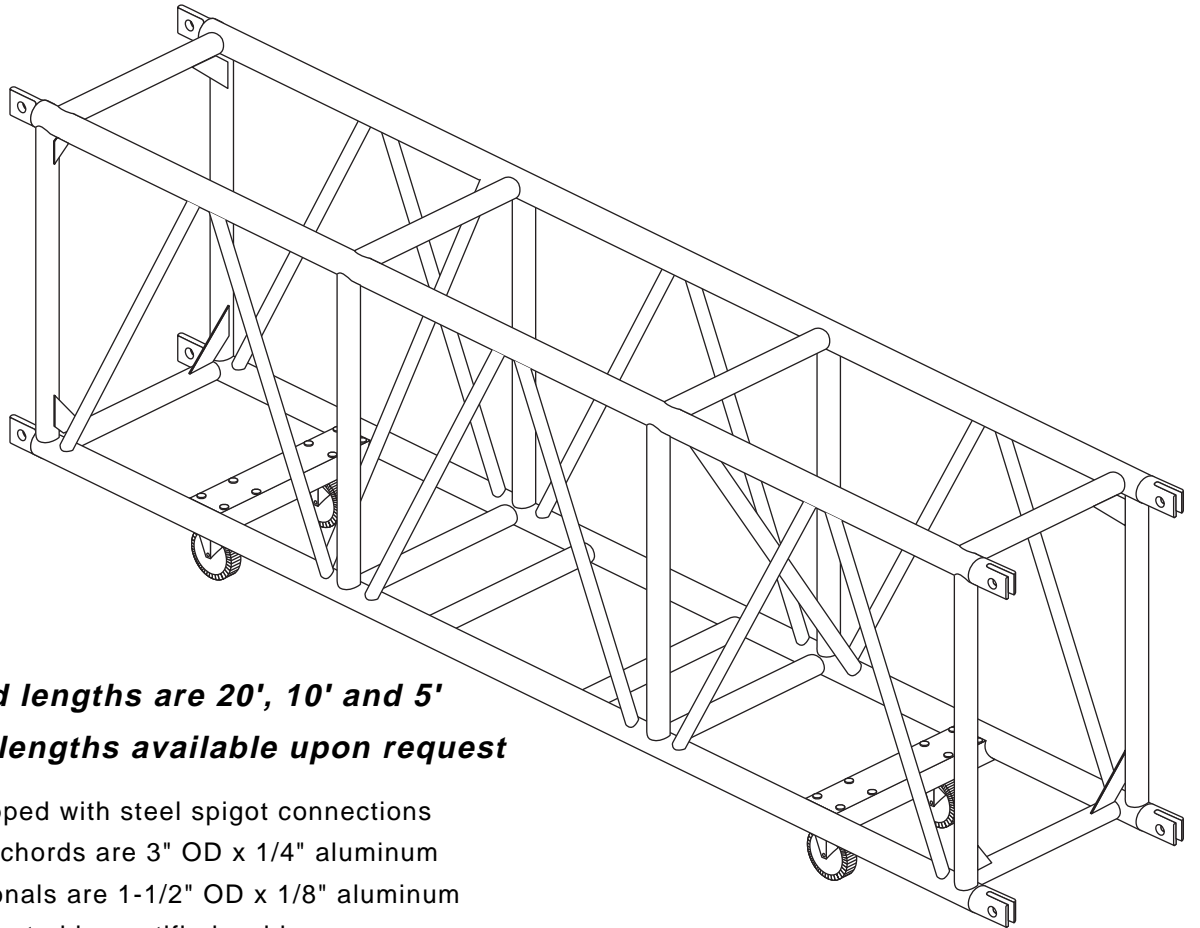




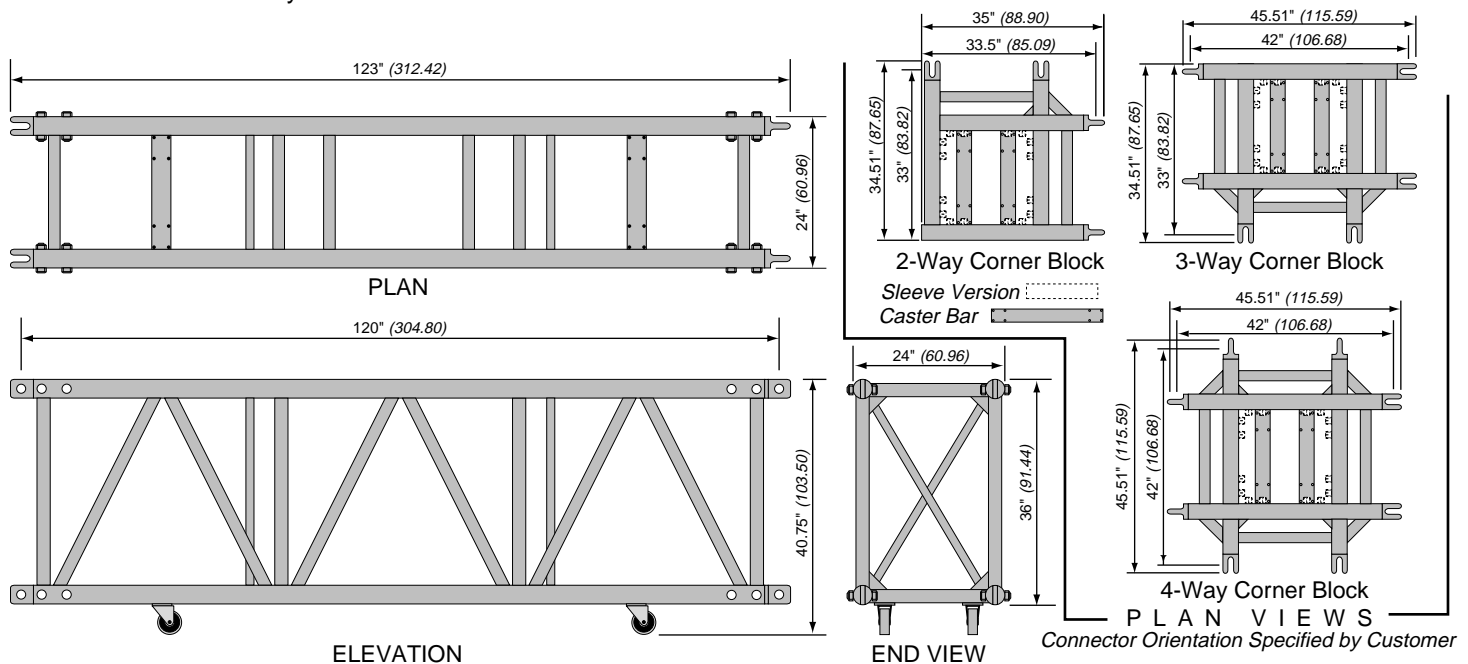
STAGING, LIGHTING AND SUPPORT SYSTEMS

EXTRA HEAVY DUTY
TRUSS
36" x 24" SPIGOTED



- * **Standard lengths are 20', 10' and 5'**
- * **Custom lengths available upon request**

- Equipped with steel spigot connections
- Main chords are 3" OD x 1/4" aluminum
- Diagonals are 1-1/2" OD x 1/8" aluminum
- Fabricated by certified welders



ALLOWABLE LOAD DATA

EXTRA HEAVY DUTY TRUSS 36" x 24" SPIGOTED

Span ft. (mtrs)	MAXIMUM ALLOWABLE UNIFORM LOADS			MAXIMUM ALLOWABLE POINT LOADS					
	Load #/ft.	Load lbs (kgs)	Max Defl. in.	CENTER POINT		THIRD POINT		QUARTER POINT	
				Load lbs (kgs)	Max Defl. in.	Load lbs (kgs)	Max Defl. in.	Load lbs (kgs)	Max Defl. in.
<i>Spigots Only</i>									
10 (3.04)	2068	20680 (9380)	0.02	20683 (9382)	0.03	10341 (4691)	0.03	6894 (3127)	0.03
20 (6.09)	1011	20220 (9172)	0.16	20220 (9172)	0.25	10111 (4586)	0.22	6741 (3058)	0.20
30 (9.14)	658	19740 (8954)	0.55	17077 (7746)	0.74	9880 (4482)	0.73	6587 (2988)	0.68
40 (12.21)	482	19280 (8745)	1.30	10264 (4656)	1.13	7698 (3492)	1.40	5132 (2328)	1.32
50 (15.24)	376	18800 (8528)	2.55	9877 (4480)	2.20	6020 (2731)	2.27	4459 (2023)	2.33
60 (18.28)	215	12900 (5851)	3.32	6458 (2929)	2.80	4844 (2197)	3.39	3229 (1465)	3.20
70 (21.33)	132	9240 (4191)	4.28	4649 (2109)	3.69	3487 (1582)	4.36	2324 (1054)	4.14
80 (24.38)	68	5440 (2468)	4.82	2733 (1240)	4.30	2050 (930)	4.89	1366 (620)	4.70

Note: Deflections reported in the above tables are maximum expected for full loadings (indoors only). All loads are based on 10' sections. Load tables are reprinted from engineering reports developed by Parkhill, Smith & Cooper, Inc., structural engineers, and apply to truss fabricated after December, 1989.

EXTRA HEAVY DUTY TRUSS 36" x 24" SPIGOTED Connections are steel spigots & 1" clevis pins

Product Description	Item Code	Weight lbs (kgs)
5' EXTRA HEAVY DUTY TRUSS	TRS 3624-060S	171 (78)
10' EXTRA HEAVY DUTY TRUSS	TRS 3624-120S	249 (113)
20' EXTRA HEAVY DUTY TRUSS	TRS 3624-240S	402 (182)
EXTRA HEAVY DUTY 2-WAY CORNER BLOCK	TRS 3624-C2S	174 (79)
EXTRA HEAVY DUTY 3-WAY CORNER BLOCK	TRS 3624-C3S	226 (103)
EXTRA HEAVY DUTY 4-WAY CORNER BLOCK	TRS 3624-C4S	278 (126)
EXTRA HEAVY DUTY 2-WAY SLEEVE BLOCK FOR 16" TOWER*	TRS 3624-S2S	270 (123)
EXTRA HEAVY DUTY 3-WAY SLEEVE BLOCK FOR 16" TOWER*	TRS 3624-S3S	325 (148)
EXTRA HEAVY DUTY 4-WAY SLEEVE BLOCK FOR 16" TOWER*	TRS 3624-S4S	380 (173)
1" CLEVIS PIN	HDW CP-1	1 (.46)
LARGE R-CLIP	HDW RC-LG	-

* Spans greater than 60' require custom sleeves for larger tower.